

PERISTALTIC DOSING PUMP— series F**TECHNICAL FEATURES**

- Maximum Flow Rate: up to 6 l/h (fixed Flow)
- Maximum Pressure: up to 1bar
- Power Supply Range: 230V 50/60Hz (*)
- Hose: Santoprene® or Silicone
- Fittings: PP
- Installation Kit: not included (*)



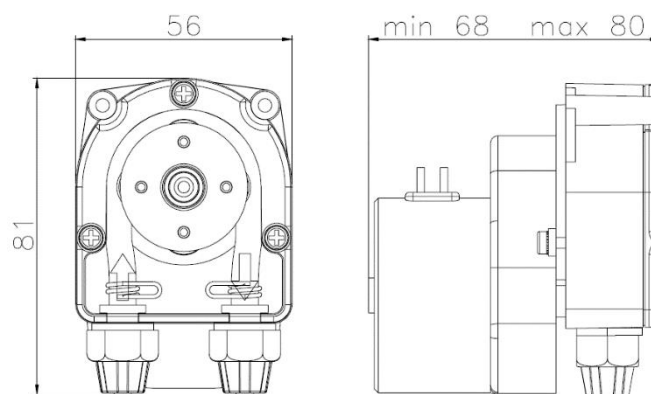
(*) Upon request: different configurations.

Peristaltic dosing pump F series has a constant flow rate, available with Santoprene® and Silicone tubing. The tube is fixed to the external fitting with a SS clamps. The cover is fixed on the casing with 3 screws, on it there's a groove for an additional shaft support. The hydraulic head is independent of the motor type and can be supplied separately.

Standard voltage that the pump F 0.5 l/h, 1.1 l/h, 2.2 l/h and 3.3 l/h can receive is 230Vac 50/60Hz, while the F 6 l/h can be only 24Vdc. Upon request it is possible to get F pump 1.1 l/h and 2.2 l/h versions at 240V, 120V, 24Vac, 24Vdc and 12Vdc.

Rotation speed: 10 rpm 0.5 l/h version; 20 rpm 1.1 l/h version; 40 rpm 2.2 l/h version; 60 rpm 3.3 l/h version; 111 rpm 6 l/h version.

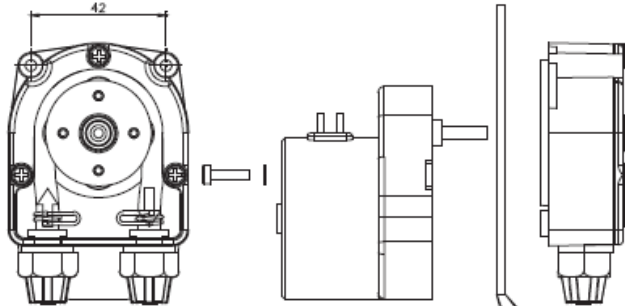
Upon request, NSF certified version which is equipped with a device that verify the real chemical product dosage. The flow indicator must be maintained in vertical position.

DIMENSIONS

We reserve the right to make changes at any time without notice to colors, materials, specifications and models

PERISTALTIC DOSING PUMP— series F

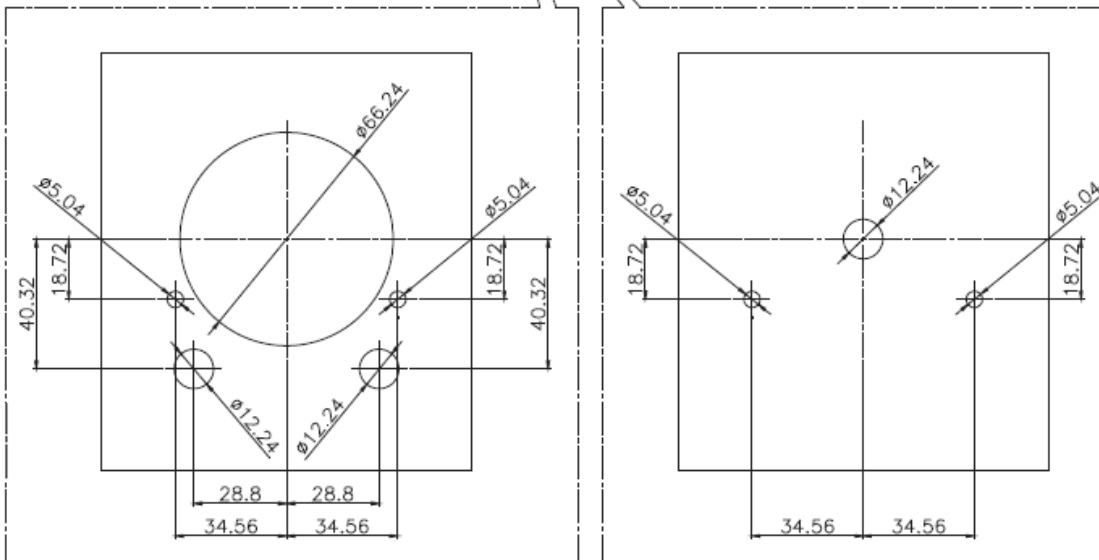
PANEL MOUNTING



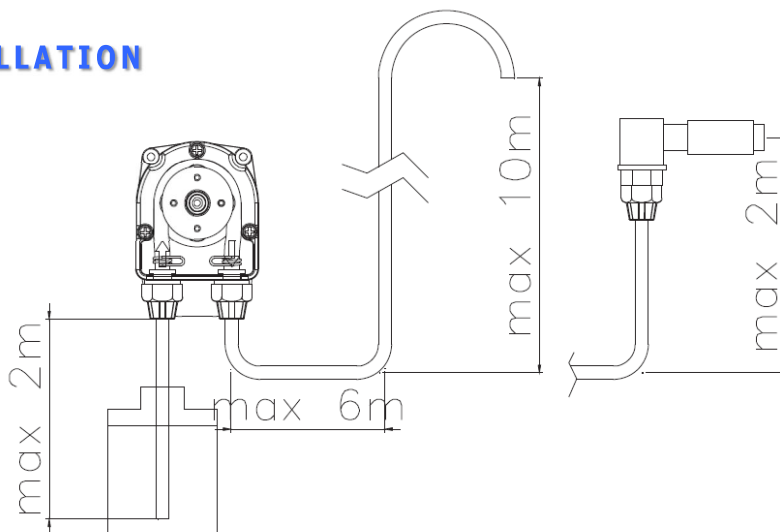
- 1 – MOTOR GEARBOX
- 2 – PANEL
- 3 – HYDRAULIC ASSEMBLY

Panel thickness between 2.5 and 4.0 mm

Panel thickness above 2.5 mm



PLANT INSTALLATION



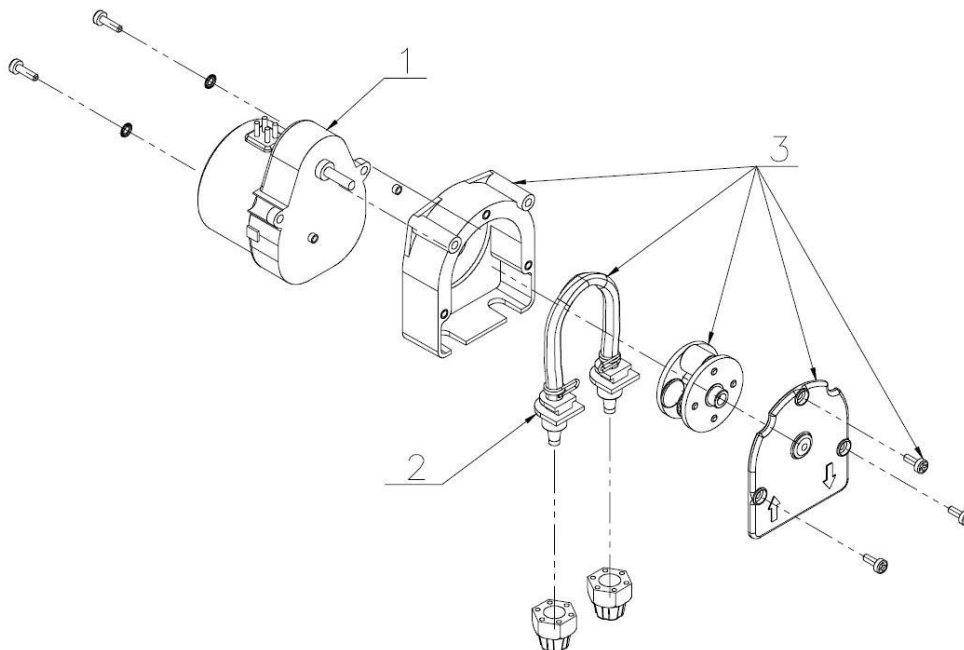
We reserve the right to make changes at any time without notice to colors, materials, specifications and models

PERISTALTIC DOSING PUMP— series F

CODE

Model	Type	Version	Liquidend
PPF	02 = F	368 = 0.5 l/h - 1 bar (230V)	64 = (without kit) Santoprene® tube
			60 = (without kit) Silicone tube
		252 = 1.1 l/h - 1 bar (240V)	R4 = (without kit) NSF 29 certified model
		192 = 1.1 l/h - 1 bar (230V)	74 = (with water treatment kit) Santoprene® tube
		253 = 1.1 l/h - 1 bar (120V)	
		255 = 1.1 l/h - 1 bar (24Vdc)	
		254 = 1.1 l/h - 1 bar (24Vac)	
		268 = 1.1 l/h - 1 bar (12Vdc)	
		256 = 2.2 l/h - 1 bar (240V)	
		187 = 2.2 l/h - 1 bar (230V)	
		257 = 2.2 l/h - 1 bar (120V)	
		259 = 2.2 l/h - 1 bar (24Vdc)	
		258 = 2.2 l/h - 1 bar (24Vac)	
		269 = 2.2 l/h - 1 bar (12Vdc)	
		311 = 3.3 l/h - 1 bar (230V)	
		189 = 6 l/h - 1 bar (24Vdc)	

EXPLODED VIEW



We reserve the right to make changes at any time without notice to colors, materials, specifications and models